

Dual VR Conditioner Board V2.1  
[http://jbperfer.com/dual\\_VR/v2\\_1.html](http://jbperfer.com/dual_VR/v2_1.html)

Sheet: /Analogiset tulot/  
 File: Analogiset tulot.sch

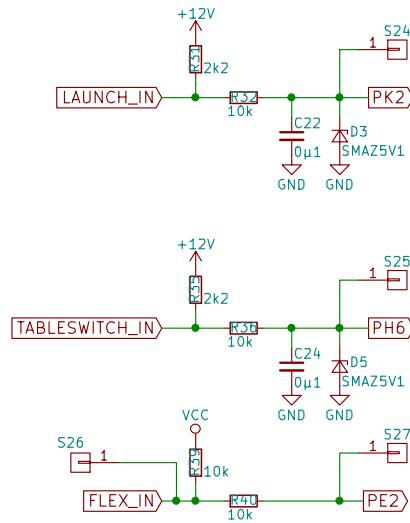
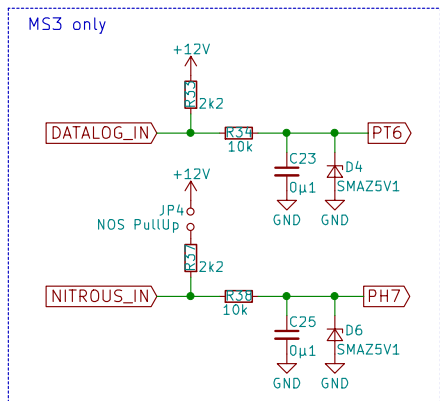
**Title: MOAMS Megasquirt I/II/III**

Size: A4 Date: 2017-09-16

KiCad E.D.A. kicad 4.0.7

Rev: 1.0

Id: 2/9



Sheet: /Digitaaliset tulot/  
File: Digitaaliset tulot.sch

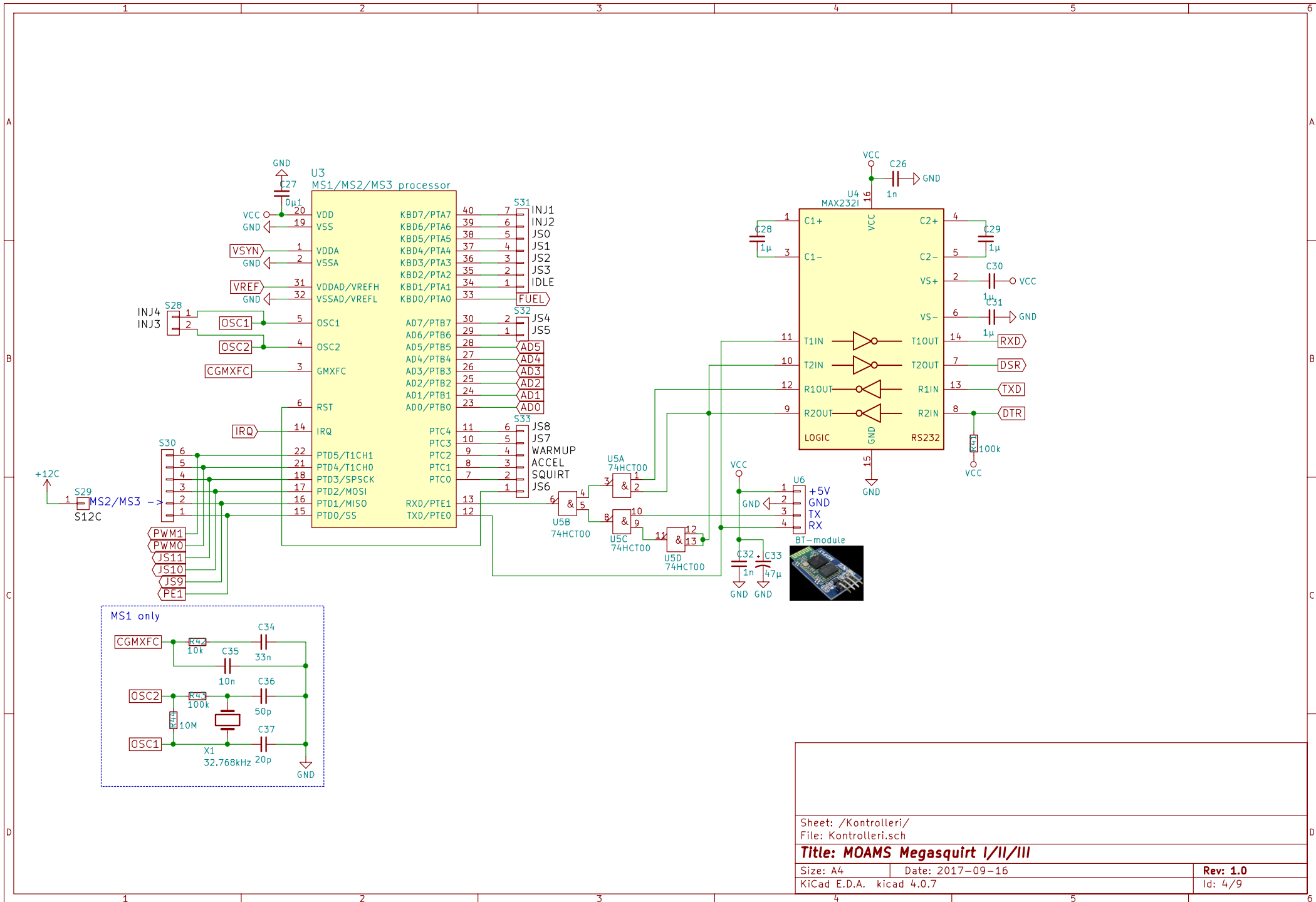
**Title: MOAMS Megasquirt I/II/III**

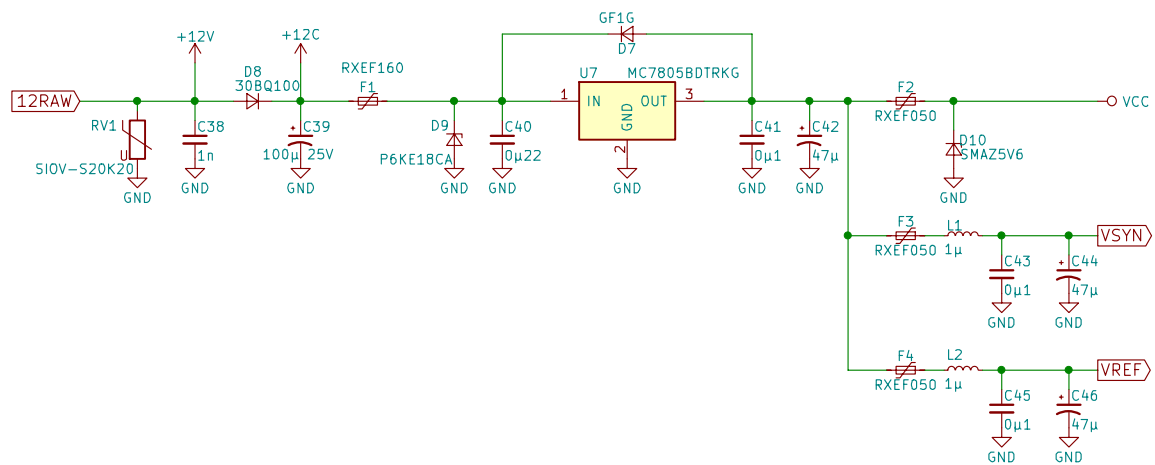
Size: A4 Date: 2017-09-16

KiCad E.D.A. kicad 4.0.7

Rev: 1.0

Id: 3/9





Sheet: /Teholähde/  
 File: Teholähde.sch

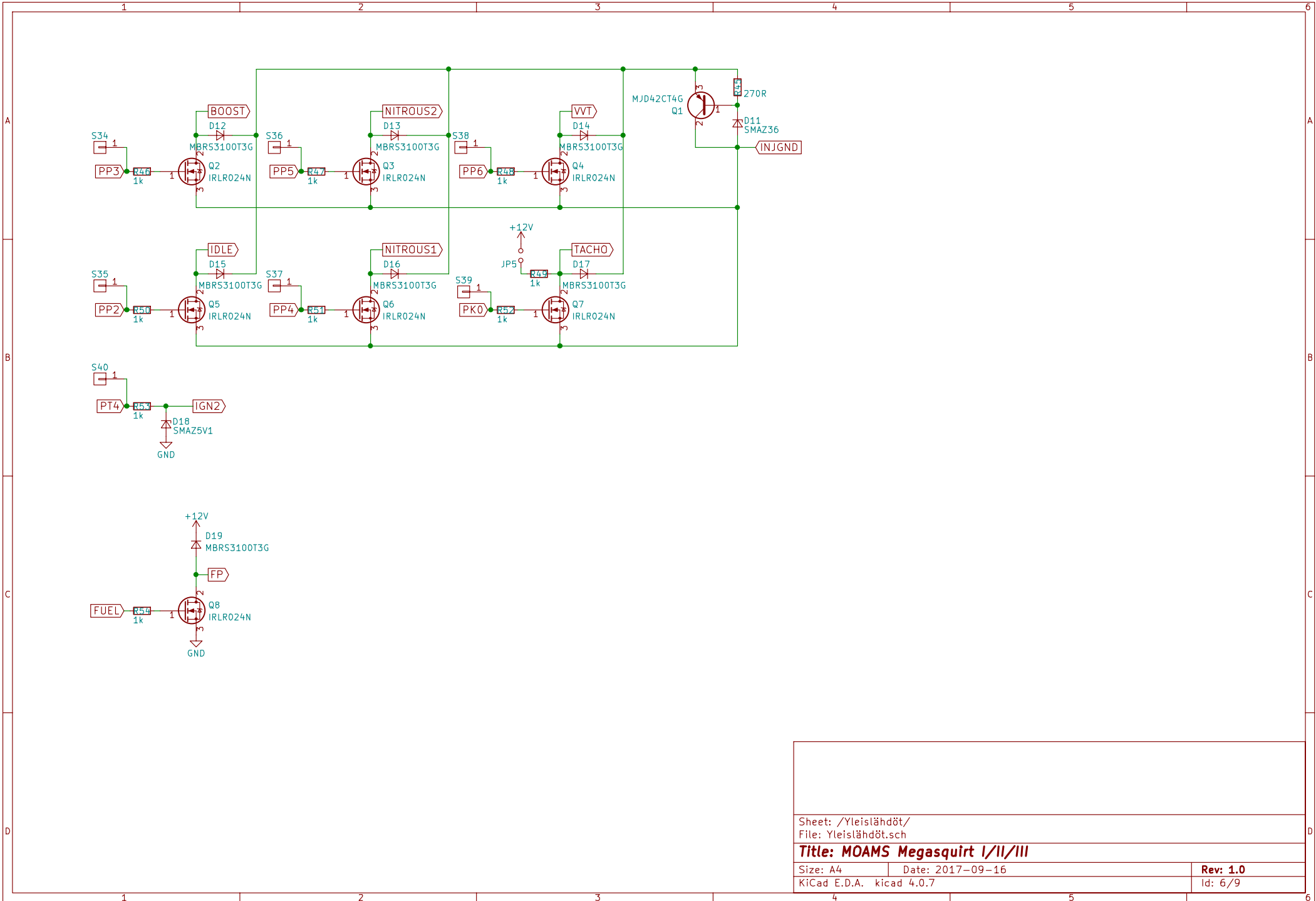
**Title: MOAMS Megasquirt I/II/III**

Size: A4 Date: 2017-09-16

KiCad E.D.A. kicad 4.0.7

Rev: 1.0

Id: 5/9



Sheet: /Yleislähdöt/  
 File: Yleislähdöt.sch

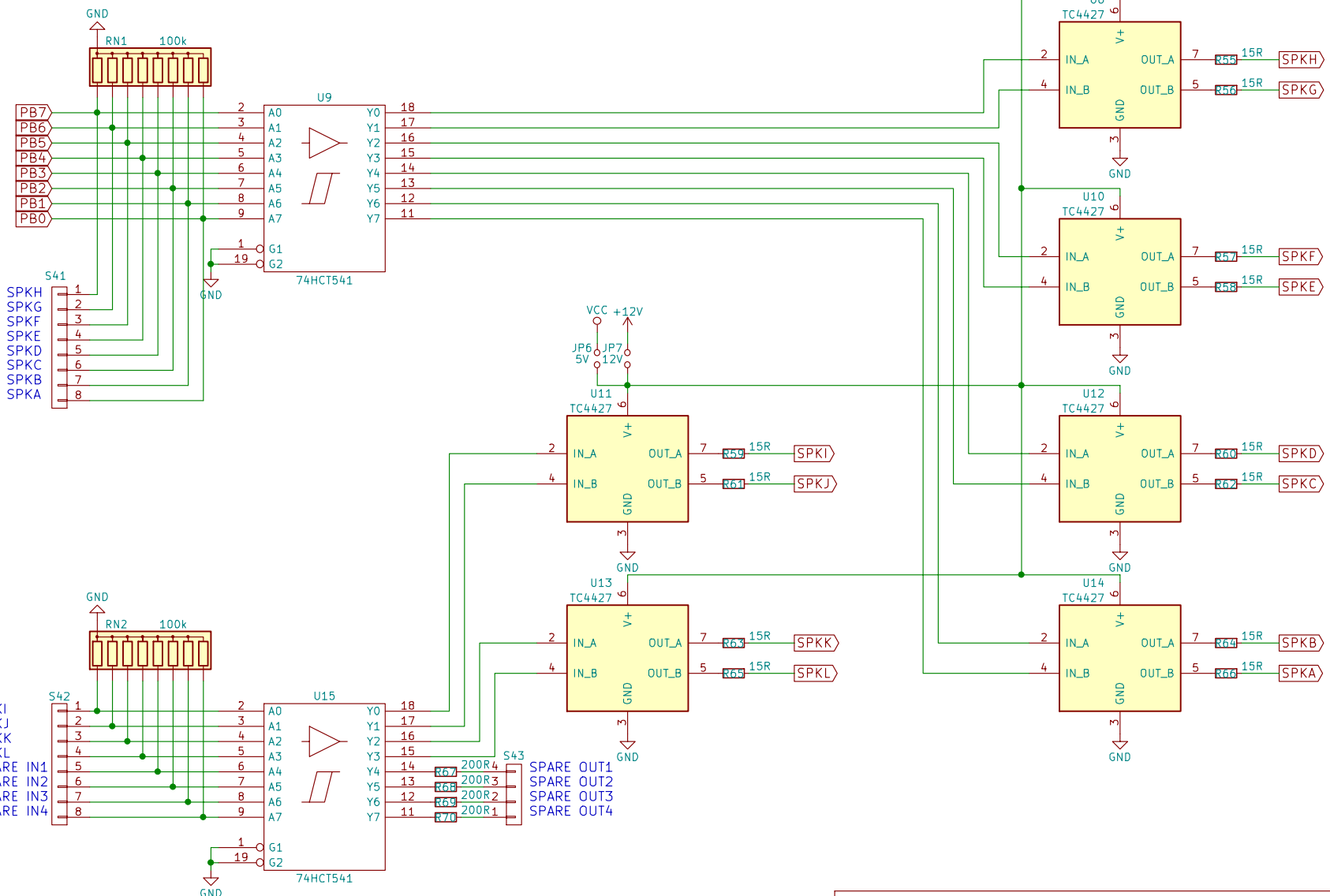
**Title: MOAMS Megasquirt I/II/III**

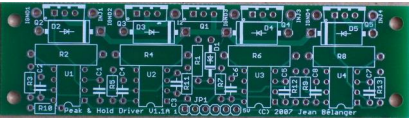
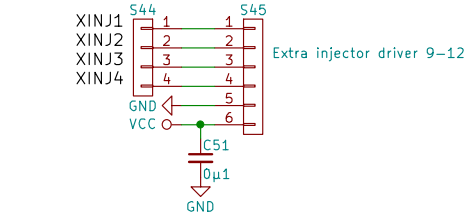
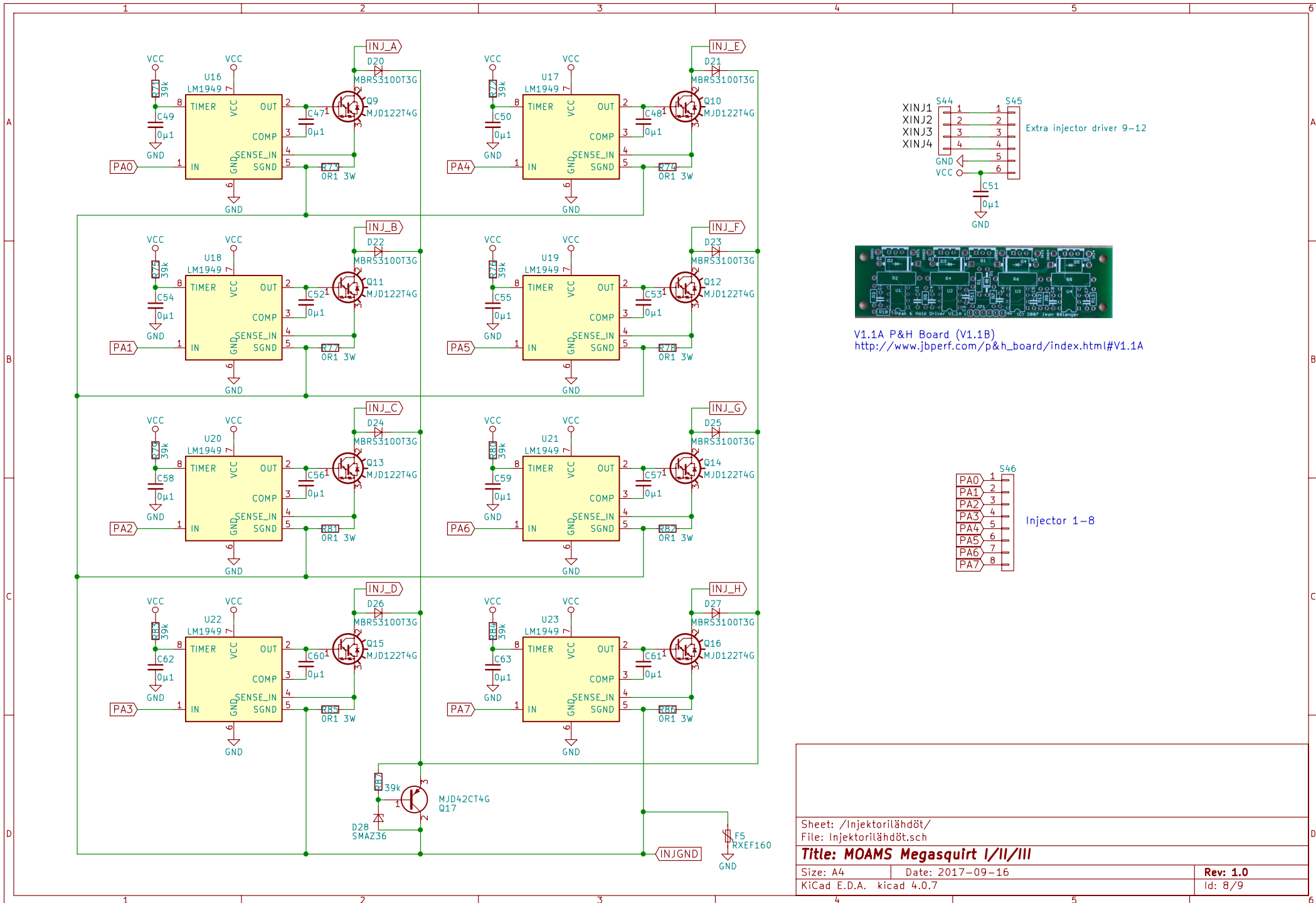
Size: A4 Date: 2017-09-16

KiCad E.D.A. kicad 4.0.7

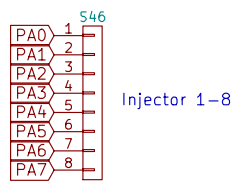
Rev: 1.0

Id: 6/9

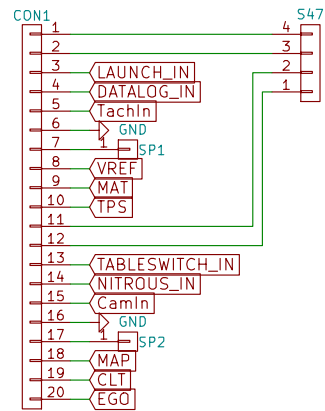




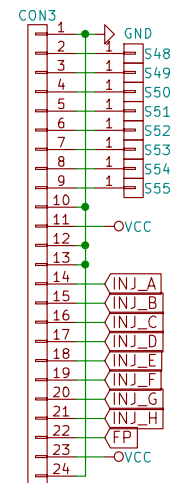
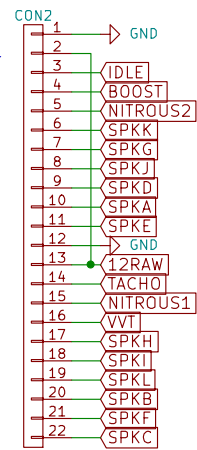
V1.1A P&H Board (V1.1B)  
[http://www.jbperf.com/p&h\\_board/index.html#V1.1A](http://www.jbperf.com/p&h_board/index.html#V1.1A)



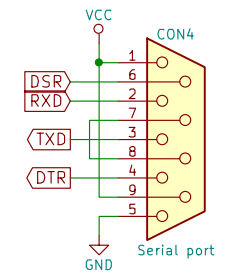
Sheet: /Injektorilähdöt/		File: Injektorilähdöt.sch	
<b>Title: MOAMS Megasquirt I/II/III</b>			
Size: A4	Date: 2017-09-16	Rev: 1.0	
KiCad E.D.A. kicad 4.0.7			Id: 8/9



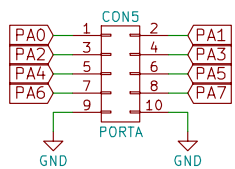
SPARE IN/OUT 1-4



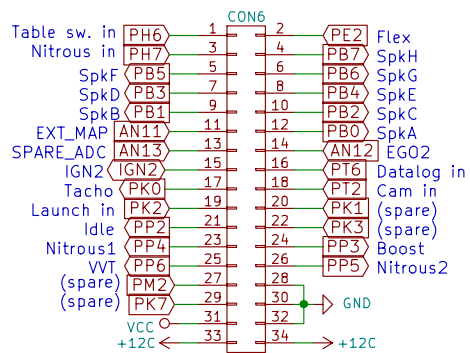
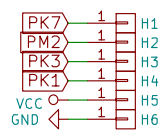
SPARE INPUT/OUTPUT



MS3 only



Real Time Clock



Sheet: /Liitännät/  
File: Liitännät.sch

**Title: MOAMS Megasquirt I/II/III**

Size: A4 Date: 2017-09-16

KiCad E.D.A. kicad 4.0.7

Rev: 1.0

Id: 9/9